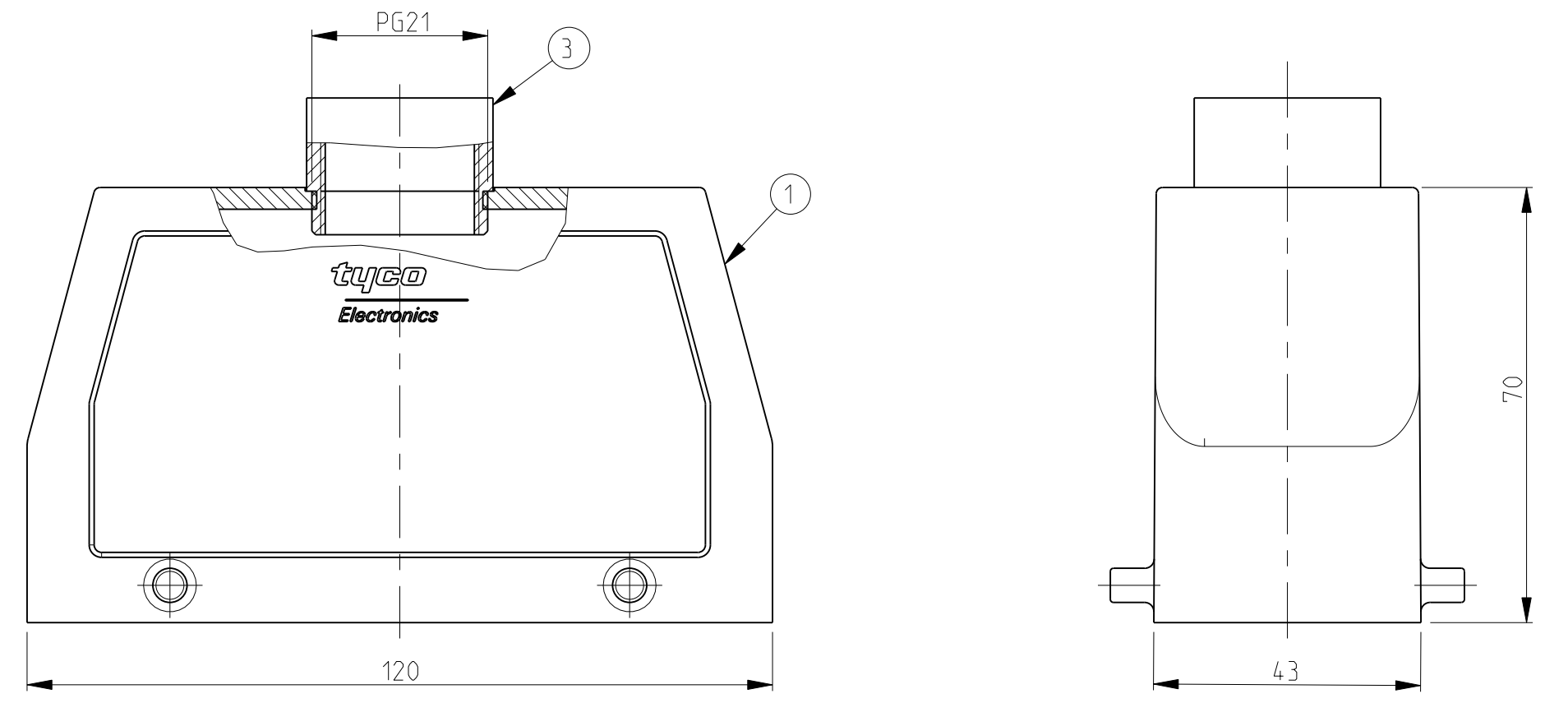
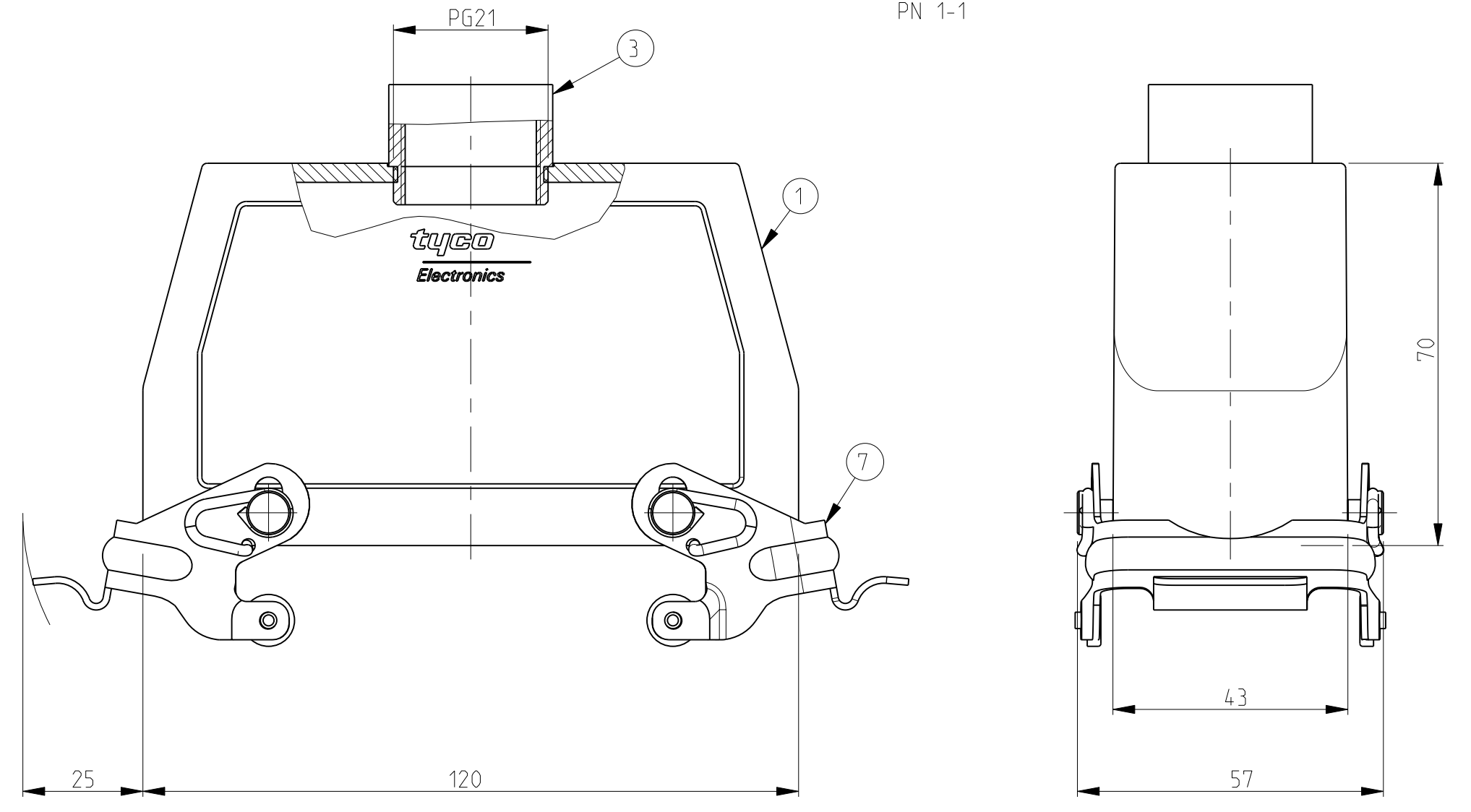


LOC	DIST	REV	DATE	DWN	APVD	
A1	-	-	-	-	-	
REVISIONS			DESCRIPTION	DATE	DWN	APVD
A4			Released as per ECE-07-019955	22.08.07	SK	TS

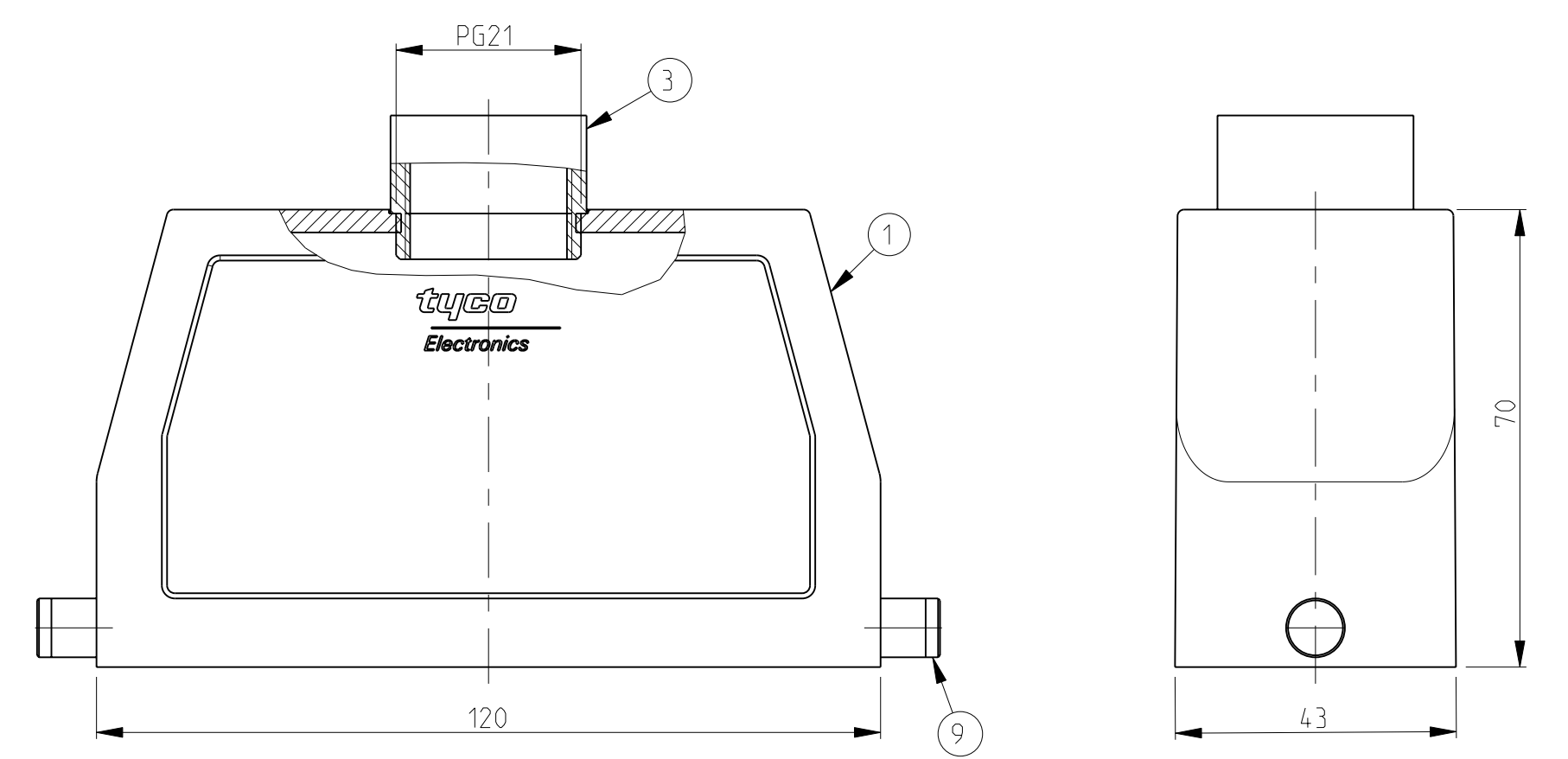
PN 1-6



PN 1-1

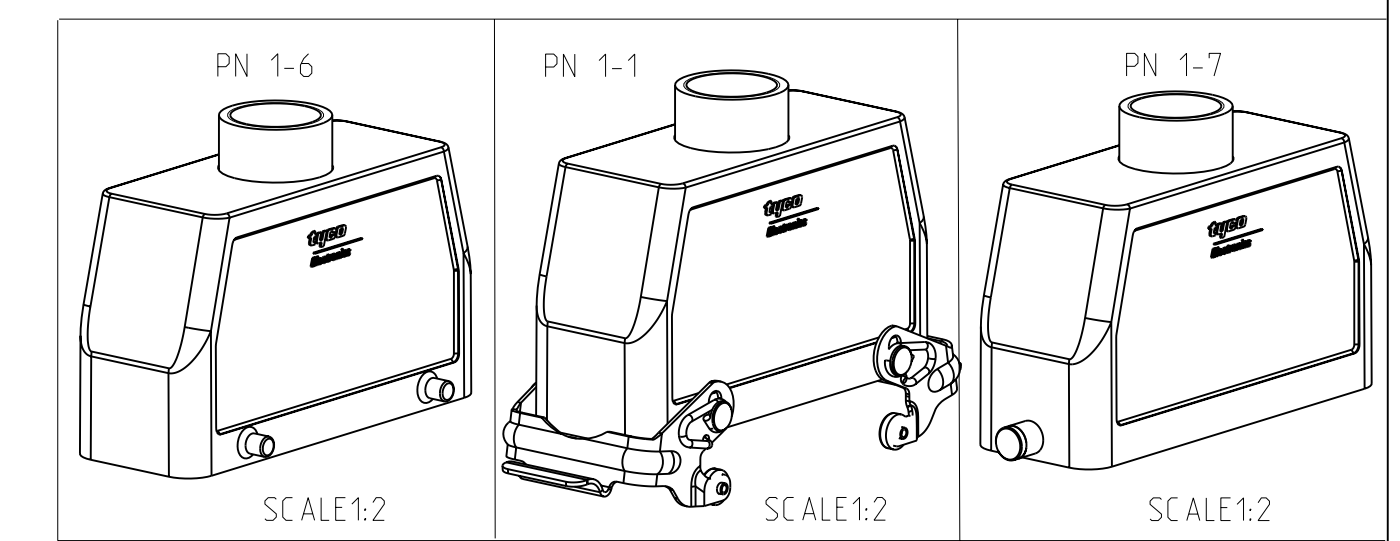


PN 1-7



NOTES.

- 1 Material:Housing:Aluminium Diecasting Alloy
- 2 Surface:Varnish grey
- 3 Varnish on the inside not necessary
- 4 Packaging Quantity 5 Pieces in a box



QTY	DESCRIPTION	MATERIAL	SURFACE	COLOR	ITEM NO	REMARKS
1	ZB Central clip	Stainless steel	-	-	12	
1	ZB Central clip	Steel	Zinc plated	Blue	11	
2	LB Clip bolt	Stainless steel	-	-	10	
2	LB Clip bolt	Steel	Zinc plated	Blue	9	
2	VS Locking clip	Stainless steel	-	-	8	
2	VS Locking clip	Steel	Zinc plated	Blue	7	
4	VS Clip bolt	Stainless steel	-	-	6	
1	O-Ring Pg21	Neoprene	-	Black	5	
1	Intermediate connecting piece 6kt Pg21	Brass	Nickel plated	-	4	
1	Intermediate connecting piece Pg21	Brass	Nickel plated	-	3	
1	HB Hood .24.Sto.1.21.Z	Aluminium	Aluminium oxide	Black	2	
1	HB Hood .24.Sto.1.21.Z	Aluminium	-	Grey	1	
2-3	DESCRIPTION	MATERIAL	SURFACE	COLOR	ITEM NO	REMARKS
1-3	ORDERING TEXT					
2-7	HB.24.Sto.1.21.Z					
1-7	HB-K.24.Sto.1.21.Z					
2-1	HB.24.Sto-VS.1.21.Z					
1-1	HB.24.Sto-VS.1.21.Z					
1-2	HB.24.Sto-VS.1.21.Z					
1-6	HB.24.Sto-GR.1.2.Z					
	HB.24.Sto-GR.1.2.Z					
	HB-K.24.Sto-GR.1.21.Z					
	HB-Z.24.Sto.1.21.Z					
	HB-K/Z.24.Sto.ZB.1.21.Z					

<p>THIS DRAWING IS UNPUBLISHED. RELEASED FOR PUBLICATION 1997 BY TYCO ELECTRONICS CORPORATION. ALL RIGHTS RESERVED.</p>	<p>DWN: Schneider 12.11.1997 CHK: Schweiger 30.06.98 APVD: -</p>	<p>Tyco Electronics Tyco Electronics AMP GmbH 0-53819-Neunkirchen,Germany</p>																																																															
<p>DIMENSIONS: mm</p>	<p>TOLERANCES UNLESS OTHERWISE SPECIFIED:</p> <table border="1"> <tr><td>0</td><td>PLC</td><td>±</td></tr> <tr><td>1</td><td>PLC</td><td>±</td></tr> <tr><td>2</td><td>PLC</td><td>±</td></tr> <tr><td>3</td><td>PLC</td><td>±</td></tr> <tr><td>4</td><td>PLC</td><td>±</td></tr> <tr><td>5</td><td>PLC</td><td>±</td></tr> <tr><td>6</td><td>PLC</td><td>±</td></tr> <tr><td>7</td><td>PLC</td><td>±</td></tr> <tr><td>8</td><td>PLC</td><td>±</td></tr> <tr><td>9</td><td>PLC</td><td>±</td></tr> <tr><td>10</td><td>PLC</td><td>±</td></tr> <tr><td>11</td><td>PLC</td><td>±</td></tr> <tr><td>12</td><td>PLC</td><td>±</td></tr> <tr><td>13</td><td>PLC</td><td>±</td></tr> <tr><td>14</td><td>PLC</td><td>±</td></tr> <tr><td>15</td><td>PLC</td><td>±</td></tr> <tr><td>16</td><td>PLC</td><td>±</td></tr> <tr><td>17</td><td>PLC</td><td>±</td></tr> <tr><td>18</td><td>PLC</td><td>±</td></tr> <tr><td>19</td><td>PLC</td><td>±</td></tr> <tr><td>20</td><td>PLC</td><td>±</td></tr> </table>	0	PLC	±	1	PLC	±	2	PLC	±	3	PLC	±	4	PLC	±	5	PLC	±	6	PLC	±	7	PLC	±	8	PLC	±	9	PLC	±	10	PLC	±	11	PLC	±	12	PLC	±	13	PLC	±	14	PLC	±	15	PLC	±	16	PLC	±	17	PLC	±	18	PLC	±	19	PLC	±	20	PLC	±	<p>NAME: Hood HB.24.Sto.1.21.Z</p>
0	PLC	±																																																															
1	PLC	±																																																															
2	PLC	±																																																															
3	PLC	±																																																															
4	PLC	±																																																															
5	PLC	±																																																															
6	PLC	±																																																															
7	PLC	±																																																															
8	PLC	±																																																															
9	PLC	±																																																															
10	PLC	±																																																															
11	PLC	±																																																															
12	PLC	±																																																															
13	PLC	±																																																															
14	PLC	±																																																															
15	PLC	±																																																															
16	PLC	±																																																															
17	PLC	±																																																															
18	PLC	±																																																															
19	PLC	±																																																															
20	PLC	±																																																															
<p>MATERIAL: FINISH</p>	<p>PRODUCT SPEC: 108-74001 108-74003 APPLICATION SPEC: 114-74001 114-74004</p>	<p>SIZE: A4 CAGE CODE: 00779 DRAWING NO: C=1102324 RESTRICTED TO: -</p>																																																															
<p>CUSTOMER DRAW ING</p>	<p>SCALE: 1:1</p>	<p>SHEET: 1 OF 1 REV: A4</p>																																																															